

# MAXXFAN<sup>®</sup>

## INFORMATION AND OPERATING GUIDE FOR DELUXE MODEL SERIES 5100K - 8501K

### **KNOB, VENT LID OPEN/CLOSE**

#### **Manual Opening Models**

Pull to unlock prior to turning. Rotate Knob clockwise to Close Vent Lid; Rotate Knob counter-clockwise to Open Vent Lid. Push "IN" to lock when Vent Lid is open or closed.

#### **Automatic Opening Models**

Allows closing of the vent lid in the event of RV power loss. This knob does not lock. Do not push in or pull out. Rotate knob clockwise to close vent lid; rotate knob counter-clockwise to open vent lid.

Do not use excessive force when operating Knob.

### **KEYPAD CONTROLS**

Use Keys on Keypad to control MAXXFAN functions (see descriptions below).



### **CEILING FAN MODE**

With the fan motor running, close the Vent Lid to enter Ceiling Fan Mode. The fan motor will continue to run and circulate air within the RV cabin.

### **INSECT SCREEN RETAINER KNOB**

Rotate all 4 knobs 1/2 turn to remove screen.

*CAUTION: Never operate fan with screen removed*

### **THERMOSTAT TEMPERATURE SENSOR**

**CAUTION:** When removing screen for cleaning, turn the MAXXFAN OFF and remove the vehicle 12 volt power to the MAXXFAN. When cleaning your MAXXFAN, use only a mild detergent solution.

**NOTE:** The MAXXFAN is designed to be fully opened or fully closed when the vehicle is moving.

## KEYPAD CONTROLS

**NOTE:** A BEEPING sound will confirm each key press.



ON/OFF

**ON/OFF:** Use this key to start the fan or to turn off the fan. On Automatic Opening Models the lid will also open or close when the fan is turned on or off. On Manual Opening Models pushing this key while in Auto Mode will exit Auto Mode, turn off the fan and the lid will stay in the position you selected. On Automatic Opening Models this button will exit Auto mode, turn the fan off, and close the lid.



IN/OUT

**IN/OUT:** Use this key to reverse the direction of the fan, the fan will slow down and pause for two (2) seconds before resuming operation in the opposite direction. **Note:** In Auto Mode the fan direction is automatically positioned to Exhaust, but may be overridden and changed to Intake by depressing this key. **Note:** Some models are Exhaust Only. On these models this key is deleted.



AUTO

**AUTO:** Auto Mode allows the thermostat to turn the fan **ON and OFF** depending on the thermostat setting. Press this key once for less than three (3) seconds to enter Auto Mode, three (3) quick beeps will confirm the MAXXFAN has entered Auto Mode. To EXIT Auto Mode, press the **ON/OFF** key. Initial factory set point for the thermostat is 78°F. The green LED will light to indicate the MAXXFAN is in Auto Mode. To adjust, follow instructions below.

If no previous thermostat temperature was entered, or you wish to change a previous set temperature, press the HOLD TO SET key for more than 3 seconds and you will hear one long beep and the thermostat will be reset to 78°F. To further adjust the set temperature, if desired, use the (+) or (-) Arrow keys to adjust at 1°F per press. The fan will make beep to confirm this setting. If a previous thermostat temperature was entered, the fan will remember this temperature setting and the next time you enter Auto Mode, the fan will start ventilating automatically as directed by the thermostat. The fan speed will automatically adjust based on the cabin temperature. As cabin temperature rises, the fan increases in speed. **Note:** If 12 volt RV power is removed from the MAXXFAN, the thermostat will be reset to 78°F.



### **ARROW**

**When in Auto Mode:** Use the (+) & (-) Arrow keys to adjust the thermostat set temperature up or down by 1°F per press.

**When in Manual Mode:** Use the (+) & (-) Arrow keys to adjust the fan speed up or down. When the fan speed reaches either the maximum or minimum speed, the fan will respond with 2 quick beeps to indicate this.

**ARROW KEYS PRESSED TOGETHER:** *Automatic Lift Models Only*

Press the (+) & (-) Arrow keys at the same time to Open or Close the lid. The fan motor will remain in its current state.

**MAXAIR<sup>®</sup>** FRESH AIR! Rain or Shine!  
VENTILATION SOLUTIONS



AIRXCEL, INC. - RV PRODUCTS DIVISION  
3050 N. St. Francis St • Wichita, KS 67219 • 316.832.3400 • www.RVComfort.com

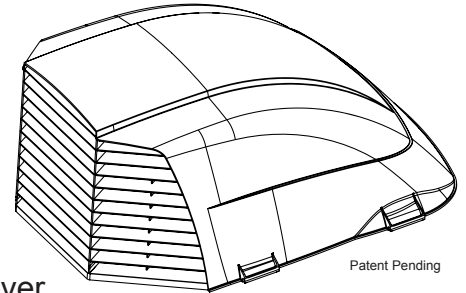
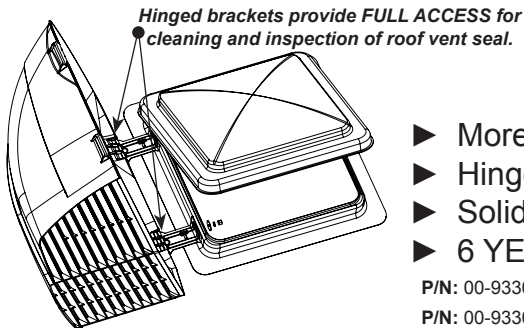
PN: 10-50111  
1976-641  
REV NEW, 04-2014 

# MAXAIR II DELUXE Vent Cover

Twice The Vent Area Of Our Original Vent Cover!

## EXCLUSIVE

Side Louvers Provide UNSURPASSED CROSS VENTILATION



- ▶ More vent area than any other vent cover
- ▶ Hinged hardware included for easy opening - **NO TOOLS REQUIRED**
- ▶ Solid one-piece, sleek, aerodynamic design
- ▶ **6 YEAR Limited WARRANTY\* - BEST in the Industry.**

P/N: 00-933072 White

P/N: 00-933073 Smoke

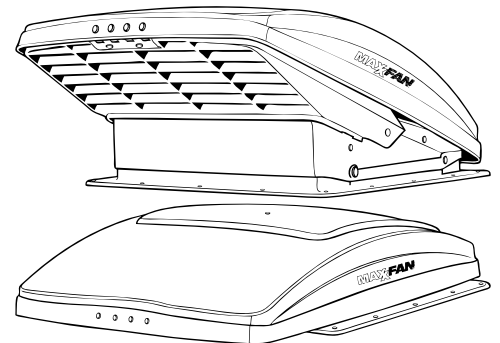
P/N: 00-933074 Shell White (Almond)

P/N: 00-933075 Black

# MAXFAN® THE MAXXFAN SOLUTION FOR RV VENTILATION

- Remote control models now include backup controls at ceiling - A MaxxFan Exclusive!
- Fan runs with lid closed to circulate air (Ceiling Fan Mode)
- Lid Available in White or Smoke
- Flush mounted, easy to clean Keypad, controls fan speed, thermostat, air intake and exhaust
- Features a powerful 10-speed fan motor
- Provides over 900 Cubic feet of air per minute to keep you cool and comfortable
- Installs into all standard 14" x 14" RV roof openings
- **2-YEAR Limited WARRANTY** with **LIFETIME Limited WARRANTY** on lid

**MAXXFAN  
DELUXE MODEL**  
With **BUILT IN RAIN SHIELD**



**BOTH STANDARD AND DELUXE MAXXFANS ARE AVAILABLE  
IN MANUAL OR REMOTE CONTROL OPENING MODELS**

Deluxe Models Manual Opening:  
Deluxe Models Electric Opening:

P/N 00-05100K MaxxFan® White Lid

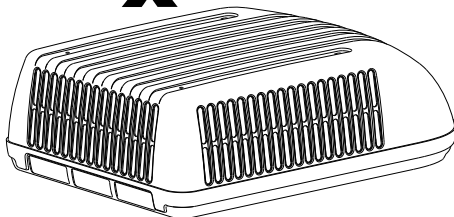
P/N 00-07000K MaxxFan® White Lid (With Remote)

P/N 00-06200K MaxxFan® Smoke Lid

P/N 00-07500K MaxxFan® Smoke Lid (With Remote)

## TUFF/MAXX® A/C REPLACEMENT SHROUD

**The LAST  
A/C SHROUD  
you will EVER  
have to BUY!**



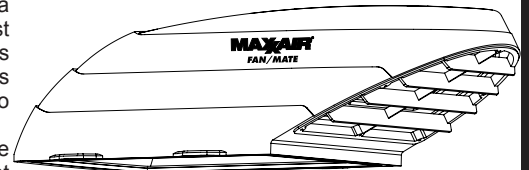
- Replaces Coleman®-Mach® 11,000, 13,500 and 15,000 BTU covers (Mach 1, Mach 3 and Mach 15 models)
  - Features built-in rear fin guard and extra tough, UV protected plastic
  - **LIFETIME Limited WARRANTY** to original owner (proof of purchase required)\*
- \*Limited to replacement only by MAXXAIR

P/N: 00-325001 Polar White Tuff/Maxx®

Coleman is a registered trademark of the Coleman Co., Inc.

## FAN/MATE® Rain Cover for High-Powered Ceiling Fans

- ▶ Model 850 (White) and Model 950 (Black) feature a 20% larger vent area for better fan performance
- ▶ Both models have a protective exhaust screen prevents debris and insects from entering into the fan area
- ▶ Both models have louvers to prevent water from entering your RV
- ▶ Both models feature **HINGE OPENING MOUNTING BRACKETS** that provide easy access for cleaning and servicing of your fan



P/N: 00-945003 Model 850 White Fan/Mate®

P/N: 00-945004 Model 950 Black Fan/Mate®

**6-YEAR  
limited WARRANTY\***

\*Warranty limited to repair or replacement of the MaxxAir II by MAXXAIR VENTILATION SOLUTIONS - see website for additional information



MaxxAir products are protected by U.S. Patent Nos. 7,004,832; 5,897,435; D463,541; D679,796 and other Patents Pending.

**CALL YOUR DEALER FOR DETAILS**

AIRXCEL, INC. - RV Products Division / MAXXAIR • 3050 N. St. Francis St. • Wichita, KS 67219 • 316-832-3400



P/N: 10-50104, REV NEW, 08-21-2013