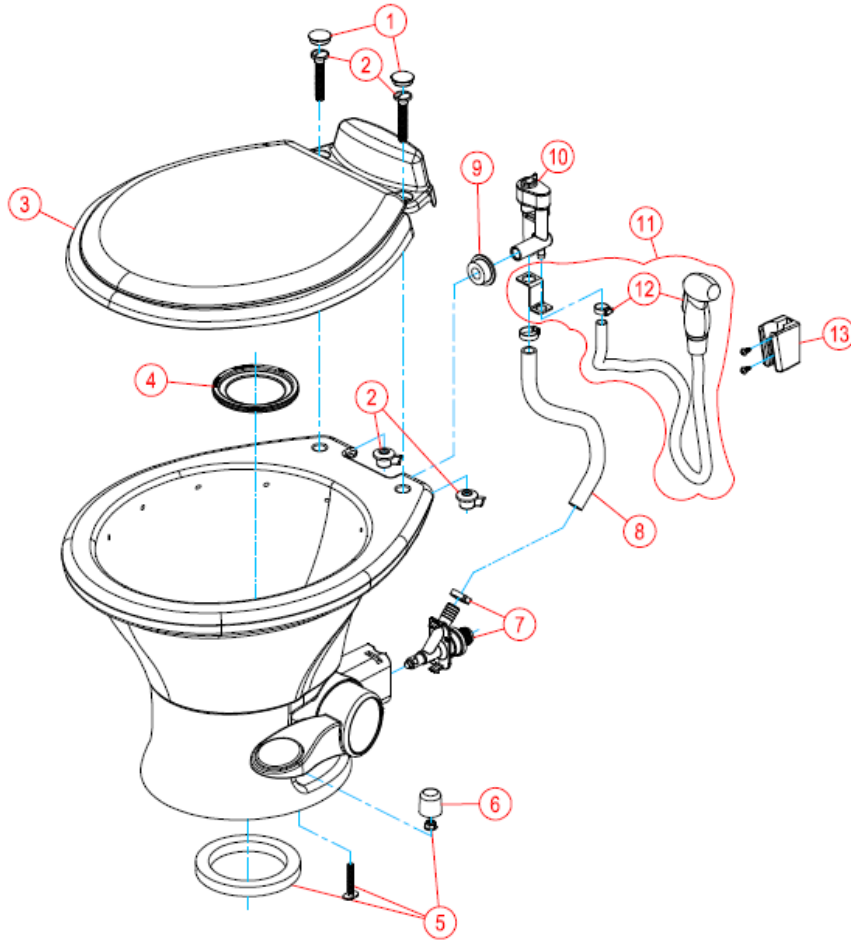


PARTS LIST: 311 LOW-PROFILE GRAVITY FLUSH TOILET



ITEM	PART NUMBER & DESCRIPTION
1	385311648 SEAT/COVER MTG BRKT - WHITE
	385311649 SEAT/COVER MTG BRKT - BONE
2	385311650 SEAT/COVER MTG HARDWARE-WHITE
	385311651 SEAT/COVER MTG HARDWARE-BONE **INCLUDES ITEM 1
3	385311646 SEAT/COVER REPLACEMENT - WHITE
	385311647 SEAT/COVER REPLACEMENT - BONE **INCLUDES ITEM 1 & 2
4	385311658 FLUSH BALL SEAL
5	385311652 MOUNTING HARDWARE/SEAL - WHITE
	385311653 MOUNTING HARDWARE/SEAL - BONE **INCLUDES ITEM 6
6	385311654 FLOOR BOLT CAP - WHITE
	385311655 FLOOR BOLT CAP - BONE
7	385311641 WATER VALVE KIT
8	385311937 WATER SUPPLY HOSE - WHITE
	385311938 WATER SUPPLY HOSE - BONE **INCLUDES CLAMPS
9	385311164 1/2" SEALING GROMMET
10	385230335 VACUUM BREAKER KIT w/HAND SPRAY
	385316906 VACUUM BREAKER KIT **INCLUDES ITEM 9
11*	385319054 HAND SPRAY KIT w/VAC BREAKER - WHT **INCLUDES ITEMS 9, 10 & 12
12*	385311124 HAND SPRAYER - WHITE **INCLUDES ITEM 13
13*	385230319 HAND SPRAY BRACKET w/SCREWS-WHT

* ITEMS 11, 12, & 13 ARE OPTIONAL ACCESSORIES;
NOT PROVIDED WITH EVERY MODEL.