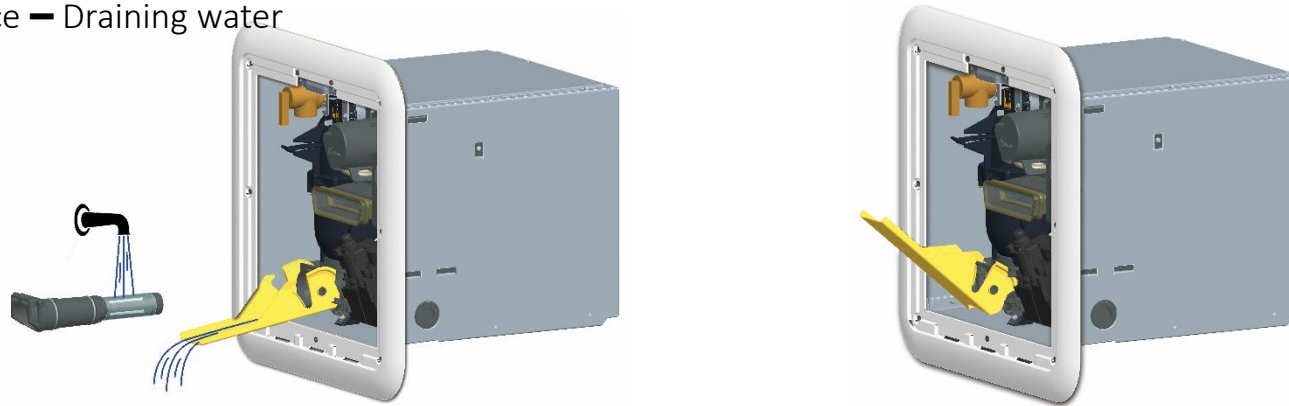


Water System – Maintenance – Draining water



Truma developed a novel valve mechanism "Easy Drain Lever", which greatly simplifies the process of fully draining the Truma AquaGo® instant water heater before winter or other extended periods of non-use.

With the water system in a non-pressurized state, simply release the yellow "Easy Drain Lever" in the front of the appliance with your thumb and move it downward to its position of maximum deflection.

The "Easy Drain Lever" serves as a drainage chute that guides the water away from the vehicle.

The "Easy Drain Lever" opens the water lines in the appliance and simultaneously ejects the filter cartridge. The water in the appliance can now drain completely. There is no need to flush the appliance with compressed air in order to remove residual water. If desired, the filter cartridge can be removed in order to inspect the filter screen; or it can remain in the appliance.

After draining the water from the Truma AquaGo® instant water heater (see preceding description), the filter cartridge can be easily pulled out and the filter cleaned if necessary.

The filter protects the appliance from dirt particles in the water circuit. To re-install the filter cartridge, simply slide it into the appliance until it contacts the "Easy Drain Lever"; then re-close.

Winterizing the AquaGo (without a winterizing fluid)

To winterize the AquaGo, drain all water from the appliance via the Easy Drain Lever. Once the water has been drained, the AquaGo is protected against freezing conditions. If the RV is equipped with a bypass around the AquaGo, separate it from the water system with the bypass.

Winterizing the AquaGo (with a winterizing fluid)

Winterizing the RV with a winterizing fluid is only possible with an installed bypass kit (not included with AquaGo)

Winterizing AquaGo Basic/AquaGo Comfort

1. Close valves A and B.
2. Open valve C.
3. Drain the appliance via the Easy Drain Lever.
4. Flush the RV's water system with a suitable winterizing fluid according to the supplier's or RV manufacturer's guidelines.
5. Leave the filter out of the Easy Drain Lever while winterized.

Winterizing AquaGo Comfort Plus

1. Close valves A, B and E.
2. Make sure that valve D remains in the closed position.
3. Open valve C.
4. Drain the appliance via the Easy Drain Lever.
5. Flush the RV's water system with a suitable winterizing fluid according to the supplier's or RV manufacturer's guidelines.
6. Close all faucets (if open).
7. Open valve D.
8. Wait until the winterizing fluid has drained. Collect escaping fluid in a suitable vessel.
9. Close Valve D.
10. Leave the filter out of the Easy Drain Lever while winterized.

Draining the AquaGo via the Easy Drain Lever Instructions

1. Set the control panel to "OFF".
2. Remove the access door.
3. Switch "OFF" the appliance at the POWER switch.
4. Open a hot water faucet and wait for cold water.
5. Turn OFF the water supply or switch OFF the water pump.
6. Leave the hot water faucet open in order to depressurize and vent the water system.
7. Open the latch with your thumb while pulling the Easy Drain Lever down as far as it will go.

